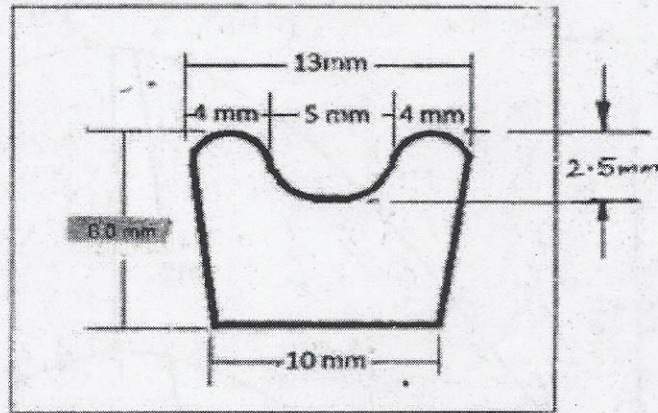


Drawing no. BL/SBU/C-1

D-Type - LEAK PROOF GASKET FOR OH BARRELS-IP CHENNAI

REQUIRED DIMENSION



note: surface of the gasket should be smoother  
Material: natural sponge rubber  
Width: 13/10mm, Height: 6.0mm, length: 1800mm  
edge joint should be bonded firmly  
Hardness: 30

BALMER LAWRIE & CO LTD  
A GOVT. OF INDIA ENTERPRISES  
(INDUSTRIAL PACKAGING DIVISION)  
#32, SATTANGADU VILLAGE  
MANALI, CHENNAI-60068

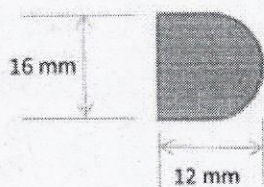
*SR. MGR (M/K)*  
*Revised dimensions*  
*for D-type gasket.*  
*PK approve.*  
*25/10/15*

*M. T. S.*  
*PK*  
*25/10/15*

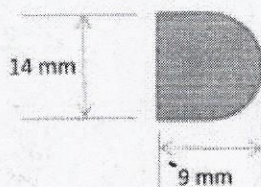
### Special Type Rubber Gaskets

Cross sectional dimension

Type-A



Type-B



Drawing no. BL/SBU/A-1